

# Wolverine Script Form

## Lacrosse Sports Wheelchair

90828



**To Order** Fill in the frame dimensions and features required. For variations describe in detail on a separate page. If you have any further questions contact us at the address at the bottom of the page.

**SEND FORM**  
If online, click here to send via e-mail

Date \_\_\_\_\_ Delivery details \_\_\_\_\_

Name \_\_\_\_\_

Address \_\_\_\_\_

Phone \_\_\_\_\_

Fax / Cell \_\_\_\_\_

Email \_\_\_\_\_

Required by \_\_\_\_\_  
(Delivery is normally 4-6 weeks from order confirmation)

Disability \_\_\_\_\_ Grading \_\_\_\_\_ Weight \_\_\_\_\_ Height \_\_\_\_\_ Shoe Size \_\_\_\_\_ T-Shirt Size \_\_\_\_\_

**MEASUREMENTS** (Refer to diagrams)

**Frame Materials**

Aluminium (std)  Titanium **90828T**

Seat Width - Rear \_\_\_\_\_ **F** Back Angle° \_\_\_\_\_

Seat Width - Front \_\_\_\_\_ **G** Seat to Foot-plate \_\_\_\_\_

**A** Back Width \_\_\_\_\_ **H** Frame Length \_\_\_\_\_  
(centre of camber bar to front of wing bar)

**B** Seat Length \_\_\_\_\_ **I** Wheel Base \_\_\_\_\_  
(centre of camber bar to centre of pivot)

**C** Back Splay - Top \_\_\_\_\_ **J** Seat to Floor - Front \_\_\_\_\_

**D** Back Splay - Length \_\_\_\_\_ **K** Seat to Floor - Rear \_\_\_\_\_

**E** Back Height \_\_\_\_\_ **L** Balance Point \_\_\_\_\_

**M** Pivot Centres \_\_\_\_\_

**N** Foot-plate Position \_\_\_\_\_

**O** Between Wheels \_\_\_\_\_

**P** Camber \_\_\_\_\_

**Q** Foot-plate Width \_\_\_\_\_

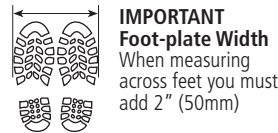
**R BINDING MOUNTS**

Standard  Custom

**S**  Flexible Backpost Cap **AD20310**  
(fixed back height only)

**WING BAR**

**T**  **U**  **V**



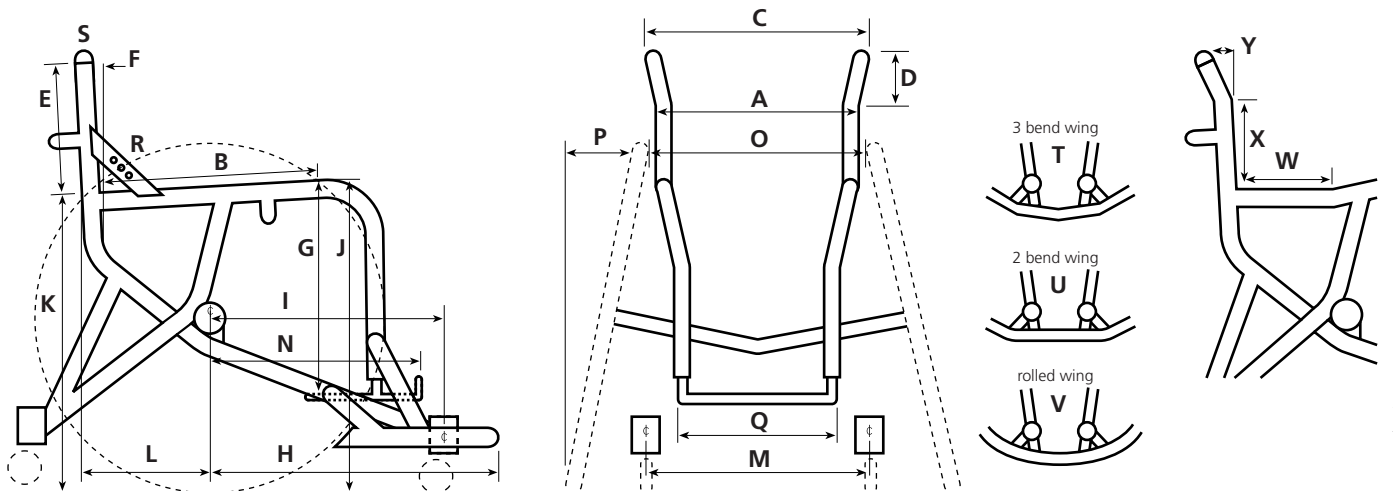
**ERGO SEAT AD10220**

**W** Ergo Seat - Length \_\_\_\_\_

**X** Ergo Back - Height \_\_\_\_\_

**Y** Ergo Back - Angle \_\_\_\_\_

**ADDITIONAL NOTES**  
(you can type here)



# Wolverine Script Form

## Lacrosse Sports Wheelchair

Name \_\_\_\_\_

**FOOTPLATE**

- No Footplate       Alloy tube footplate (std)       Alloy footplate cover **AD11690**

**ANTI-TIPS**

- Twin swivel **AD15150**       Single swivel **AD15100**

**BEARINGS**

- Standard bearings       Melrose hybrid ceramic bearings **AD20400**

**CASTORS**

- Rollerblade 72mm (std)       Other \_\_\_\_\_

**UPHOLSTERY**

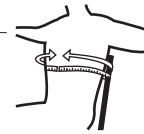
- Seat sling fixed (std)       Fixed width back (std)       No cushion       Cushion 3" **AD16203**  
 Seat sling wrap-around       Adjustable back upholstery with       Cushion 1" **AD16201**       Cushion 1" (high density) **AD16221**  
 Solid seat **AD18030**      adjustable width/height **AD16050**       Cushion 2" **AD16202**       Cushion 2" (high density) **AD16220**

**SKIRT GUARDS**

- No skirt guards       Fabric skirt guards **AD16100**       Alloy skirt guards **AD16125** (height) \_\_\_\_\_  
 ABS rigid skirt guards **AD16111** (height) \_\_\_\_\_

**STRAPS, IMPACT GUARDS**

- Front hanger covers **AD16400**       Hip strap - webbing **AD16510**       Leg strap **AD16330**  
 Back bar cover **AD16420**       Hip strap - ratchet **AD16550**       Chest strap **AD45210**  
 Foot strap - webbing (std)      (measure around your chest and seat back)

**ACCESSORIES**

- Wheel bag (black with choice of trim colour) **AD16780** (Choose your trim colour) **Blk R Bl Y Gr Pk Pu**       Custom Wheel Bag **AD16781** (describe below)

**ADDITIONAL NOTES**

(you can type here)

# Wolverine Script Form

## Lacrosse Sports Wheelchair

Name \_\_\_\_\_

**WHEELS****24"**

- Spoked Wheels (std)
- Spinergy SL Wheels (24 spoke, black spokes only) **AD13410**
- Spinergy SLX Wheels (24 spoke, black spokes only) **AD13420**

**25"**

- Spoked Wheels **AD13060**
- Spinergy SL Wheels (24 spoke, black spokes only) **AD13410**
- Spinergy SLX Wheels (24 spoke, black spokes only) **AD13420**

**26"**

- Spoked Wheels **AD13060**
- Spinergy SL Wheels (24 spoke, black spokes only) **AD13410**
- Spinergy SLX Wheels (24 spoke, black spokes only) **AD13420**

**27"**

- Spoked Wheels **AD13060**
- Spinergy SL Wheels (24 spoke, black spokes only) **AD13410**
- Spinergy SLX Wheels (24 spoke, black spokes only) **AD13420**

**TYRES****24"**

- 24" x 1" Kenda Ironcap Blue (std)
- 24" x 1" Kenda Konstrictor (std)
- 24" x 1" Schwalbe Right Run **AD13740**

**25"**

- 25" x 1" Kenda Ironcap Blue (std)
- 25" x 1" Kenda Konstrictor (std)
- 25" x 1" Schwalbe Right Run **AD13740**

**26"**

- 26" x 1" Kenda Ironcap Blue (std)
- 26" x 1" Schwalbe Right Run **AD13740**

**27"**

- 27" x 1" Kenda Ironcap Blue (std)

**PUSHRIMS**

- Anodised alloy (std)       Rubber coated (red) **AD13845**

**PUSHRIMS - POSITION**

- Standard       In close       Onto rim

**SPOKE GUARDS**

- Nil       Pair of Spoke guards **AD13920**

**SPARE WHEELS as above**

- Spoked Wheel 24" **AD13507** (quantity) \_\_\_\_\_
- Spoked Wheel 25"/26"/27" **AD13561** (quantity) \_\_\_\_\_
- Spinergy SL Wheel **AD13641** (quantity) \_\_\_\_\_
- Spinergy SLX Wheel 1/2" axle **AD13651** (quantity) \_\_\_\_\_

**SPOKE GUARDS for SPARE WHEELS as above**

- Fitted to spare wheel       Not fitted to spare wheel
- Spoke Guard **AD13921** (quantity) \_\_\_\_\_

**TYRES, TUBES and AXLES on SPARE WHEELS**

- Tube fitted **AD13695** (quantity) \_\_\_\_\_
- Kenda Tyre fitted **AD13701** (quantity) \_\_\_\_\_
- Schwalbe Tyre fitted **AD13741** (quantity) \_\_\_\_\_
- Axle 1/2" **AD12508** (quantity) \_\_\_\_\_

**PUSHRIMS for SPARE WHEELS as above**

- Anodised alloy **AD13858** (quantity) \_\_\_\_\_
- Rubber coated (red) **AD13846** (quantity) \_\_\_\_\_

**EXTRA AXLES**

- Axles 1/2" **AD12514** (quantity) \_\_\_\_\_

**EXTRA BEARINGS**

- Steel 608 5/16" **AD20402** (quantity) \_\_\_\_\_
- Steel R8 1/2" **AD20405** (quantity) \_\_\_\_\_
- Ceramic 608 5/16" **AD20403** (quantity) \_\_\_\_\_
- Ceramic R8 1/2" **AD20407** (quantity) \_\_\_\_\_

# Wolverine Script Form

Lacrosse Sports Wheelchair



Name \_\_\_\_\_

**COLOURS**

- 27 Candy Blue
- 1 Royal Blue
- 26 Navy Blue
- 72 Glass Blue
- 60 Purple Pan
- 19 Deep Purple
- 16 Candy Purple
- 48 Burgundy
- 83 Candy Raspberry
- 88 Fluro Pink
- 81 Tickle Pink
- 28 Candy Red
- 11 Flame
- 57 Super Hot Chilli
- 80 Candy Orange
- 71 Pure Orange
- 68 Crystal Yellow
- 73 Crystal Jade
- 89 Fluro Green
- 70 Candy Emerald
- 2 Hawthorn Green
- 9 Deep Teal
- 17 Crystal Sapphire

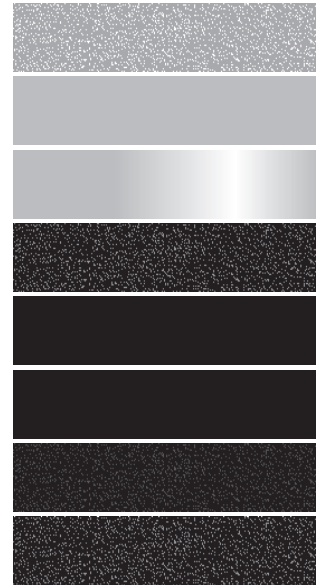


**ATTENTION**

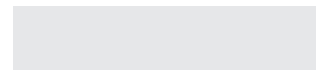
**THIS IS A GUIDE TO COLOURS ONLY, how colours appear on your monitor or when printed out may vary.**

Contact us if you require assistance or a colour sample. This colour selection is for our aluminum frames only. We do not recommend powder coating titanium. Colour availability is subject to change without notice, contact us if you are concerned about the availability of your colour.

- 55 Silver Sparkle
- 12 Silver Orbiter
- 46 Chrome
- 42 Metallic Viper
- 30 Satin Black
- 61 High Gloss Black
- 62 Matt Black
- 63 Texture Matt Black



- 18 Clear



- Bead Blast** (titanium only)



- Custom Colour** (additional cost)

Description