

SEND FORM

MELROSE PRODUCT CODE 90900

Rhino Script Form

Offensive - high point (Suitable for 1.5-3.5 player)



Date _____

Name _____

Address _____

Phone _____

Fax / Cell phone _____

Email _____

Delivery Details and nearest Airport _____

Required by _____

(Delivery is normally 4-6 weeks from order confirmation)

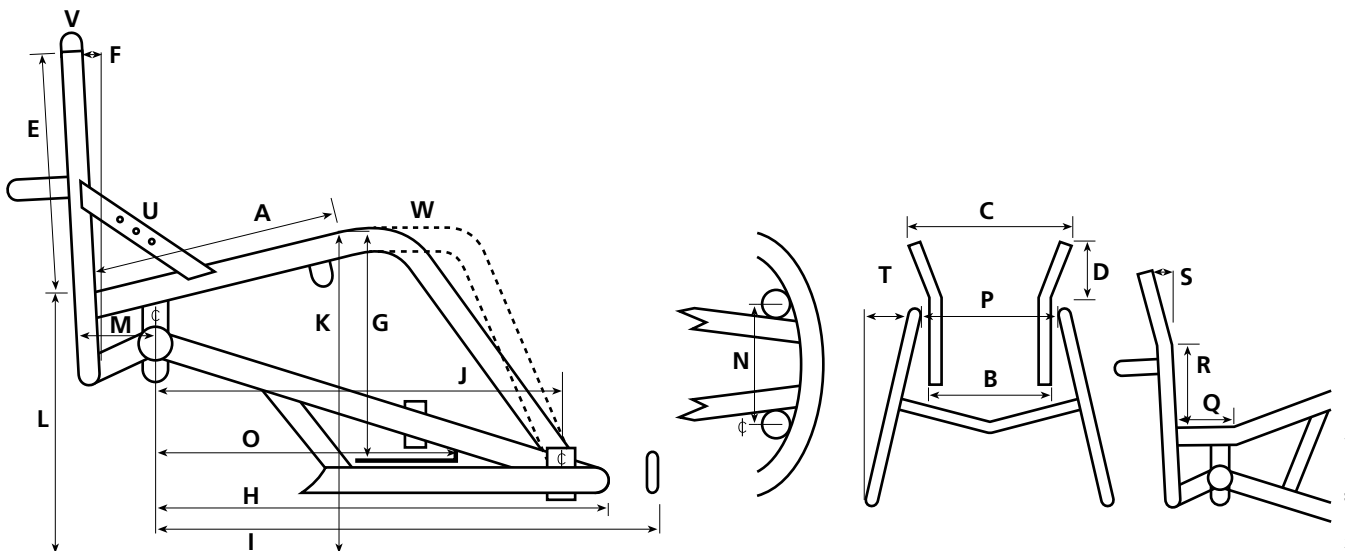
To Order
 Fill in the frame dimensions and features required. For variations describe in detail on a separate page. If you have any further questions contact us at the address below.

Disability _____ Grading _____ Weight _____ Height _____ Shoe size _____ T-shirt size _____

MEASUREMENTS (Refer to diagram)

Seat Width - Rear _____	G Seat to Footplate _____	O Footplate Position _____	W <input type="checkbox"/> Transfer Rail
Seat Width - Front _____	H Frame Length (centre of camber bar to front of frame) _____	P Between Wheels _____	WINGS
A Seat Length _____	I Overall Frame Length (centre of camber bar to front of pick bar) _____	Q Ergo Seat - Length _____	<input type="checkbox"/> Single <input type="checkbox"/> Double <input type="checkbox"/> Inverted
B Back Width _____	J Wheel Base (centre of camber bar to centre of pivot) _____	R Ergo Back - Height _____	Wing Height _____
C Back Splay - Top _____	K Seat to Floor - front _____	S Ergo Back - Angle _____	PICK BAR
D Back Splay - Length _____	L Seat to Floor - rear _____	T Camber _____	<input type="checkbox"/> Standard <input type="checkbox"/> Inverted
E Back Height _____	M Balance Point _____	U <input type="checkbox"/> Holes for Bindings _____	<input type="checkbox"/> Steel <input type="checkbox"/> Alloy
F Back Angle _____	N Pivot Centres _____	V <input type="checkbox"/> Flexible Backpost Cap (fixed back height only) _____	Bolt on (Steel)
			<input type="checkbox"/> 1/4" <input type="checkbox"/> 8mm
			Width _____ Height _____
			Angle _____ Style _____

FABRICATION NOTES (you can type here)



Rhino Off November 2011

