

**SEND FORM**

**MELROSE PRODUCT CODE 90900**

# Rhino Script Form

**Defensive - low point (Suitable for 0.5-1.5 player)**



Date \_\_\_\_\_

Name \_\_\_\_\_

Address \_\_\_\_\_

\_\_\_\_\_

Phone \_\_\_\_\_

Fax / Cell phone \_\_\_\_\_

Email \_\_\_\_\_

Delivery Details and nearest Airport \_\_\_\_\_

\_\_\_\_\_

\_\_\_\_\_

\_\_\_\_\_

Required by \_\_\_\_\_

(Delivery is normally 4-6 weeks from order confirmation)

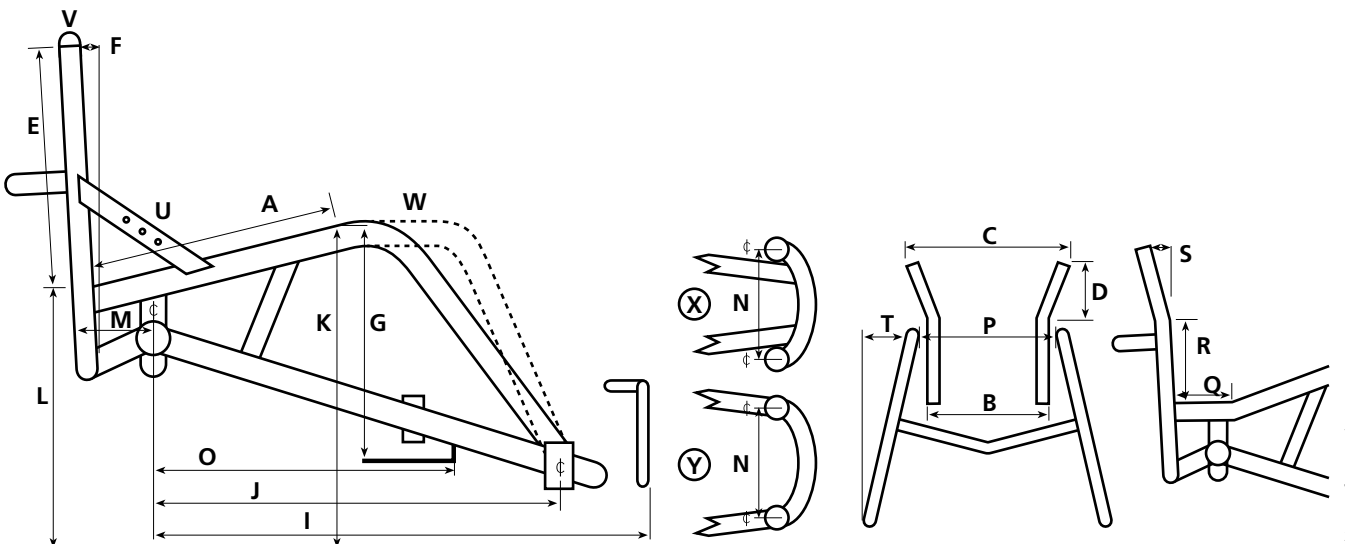
**To Order**  
 Fill in the frame dimensions and features required. For variations describe in detail on a separate page. If you have any further questions contact us at the address below.

Disability \_\_\_\_\_ Grading \_\_\_\_\_ Weight \_\_\_\_\_ Height \_\_\_\_\_ Shoe size \_\_\_\_\_ T-shirt size \_\_\_\_\_

## MEASUREMENTS (Refer to diagram)

Seat Width - Rear _____	<b>G</b> Seat to Footplate _____	<b>P</b> Between Wheels _____	Castor Position <input type="checkbox"/> X <input type="checkbox"/> Y
Seat Width - Front _____	<b>I</b> Overall Frame Length <small>(centre of camber bar to front of pick bar)</small>	<b>Q</b> Ergo Seat - Length _____	<b>WINGS</b>
<b>A</b> Seat Length _____	<b>J</b> Wheel Base <small>(centre of camber bar to centre of pivot)</small>	<b>R</b> Ergo Back - Height _____	<input type="checkbox"/> Single <input type="checkbox"/> Double <input type="checkbox"/> Inverted
<b>B</b> Back Width _____	<b>K</b> Seat to Floor - front _____	<b>S</b> Ergo Back - Angle _____	Wing Height _____
<b>C</b> Back Splay - Top _____	<b>L</b> Seat to Floor - rear _____	<b>T</b> Camber _____	<b>PICK BAR</b>
<b>D</b> Back Splay - Length _____	<b>M</b> Balance Point _____	<b>U</b> <input type="checkbox"/> Holes for Bindings	<input type="checkbox"/> Standard <input type="checkbox"/> Inverted
<b>E</b> Back Height _____	<b>N</b> Pivot Centres _____	<b>V</b> <input type="checkbox"/> Flexible Backpost Cap <small>(fixed back height only)</small>	<input type="checkbox"/> Steel <input type="checkbox"/> Alloy
<b>F</b> Back Angle _____	<b>O</b> Footplate Position _____	<b>W</b> <input type="checkbox"/> Transfer Rail	Bolt on (Steel)
			<input type="checkbox"/> 1/4" <input type="checkbox"/> 8mm
			Width _____ Height _____
			Angle _____ Style _____

## FABRICATION NOTES (you can type here)



Rhino Def / November 2011

